

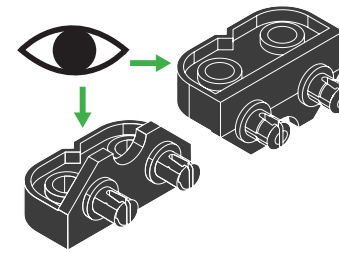
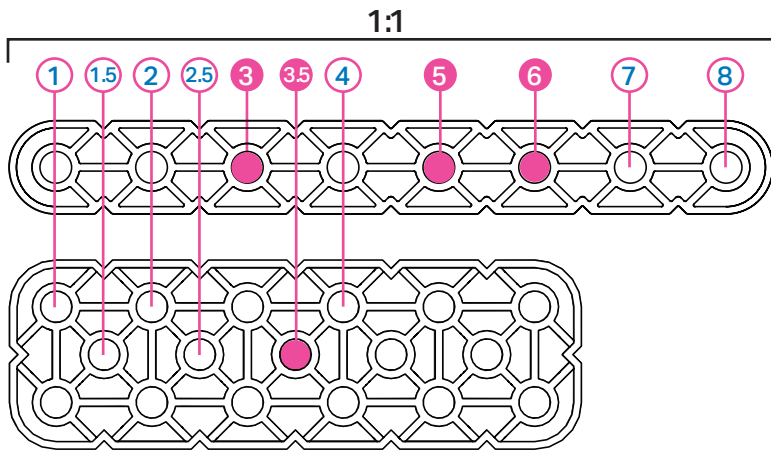
VEX IQ[®]

PLTW Powered Super Car



228-3304

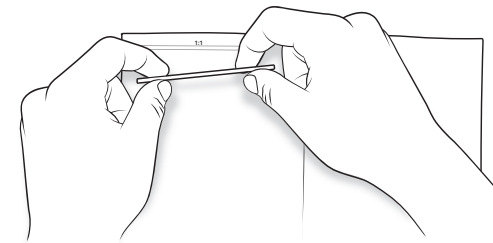
Count before you connect • Contar antes de conectar • Compter avant de connecter • Contare i pezzi prima di collegarli • Erst zählen, dann verbinden • Policz, zanim połączysz • Tell voordat u aansluit



Confirm orientation
 Confirmar orientación
 Confirmez l'orientation
 Confermare l'orientamento
 Ausrichtung prüfen
 Potwierdź orientację
 Bevestig orientatie



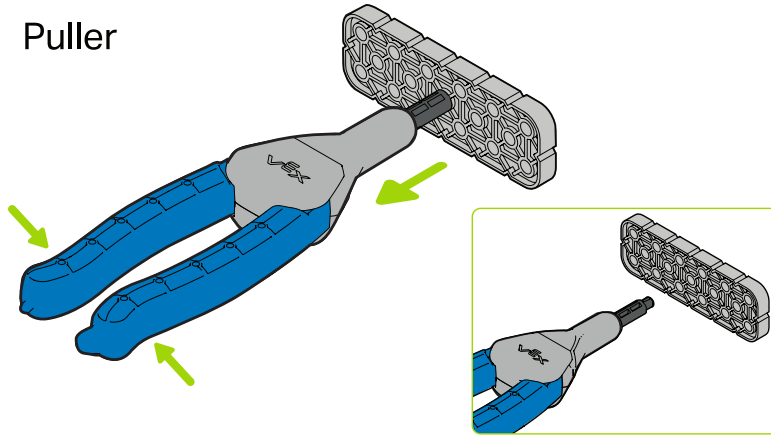
Scan to download the
VEX IQ Part Ruler PDF



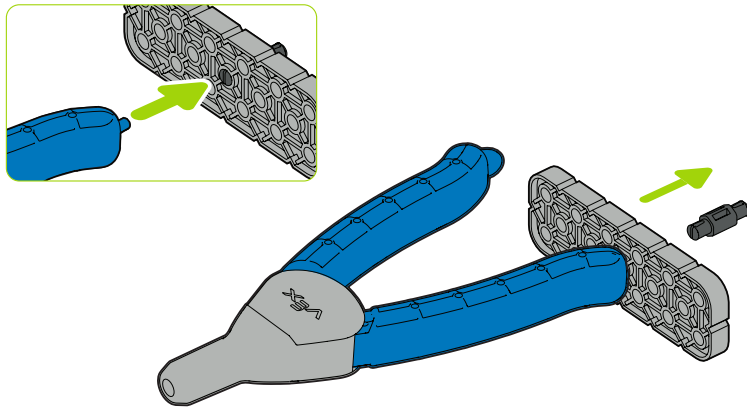
Check pieces against actual size in manual
 Verificar partes contra tamaño real en el manual
 Vérifiez les pièces contre leurs tailles réelles dans le manuel
 Controllare le dimensioni dei pezzi nel manuale rispetto alla grandezza naturale
 Bauteile mit der originalgröße in der anleitung vergleichen
 Sprawdź elementy względem rzeczywistego rozmiaru w instrukcji
 Check stukken tegen de werkelijke grootte in de handmatige

Alert	Correct	Pivot	Incorrect	Alternate view	Size	Notice	Rotate	Flip
Alerta	Correcto	Pivote	Incorrecto	Vista alternativa	Tamaño	Aviso	Girar	Voltear
Alerte	Correcte	Pivot	Incorrecte	Autre vue	Taille	Avis	Faire tourner	Retourner
Attenzione	Corretto	Imperniare	Non corretto	Vista alternativa	Dimensione	Fare attenzione	Ruotare	Capovolgere
Warnung	Richtig	Drehbar lagern	Falsch	Andere ansicht	Größe	Hinweis	Drehen	Umdrehen
Ostrzeżenie	Prawidłowo	Obracać się na osi	Nieprawidłowo	Widok alternatywny	Rozmiar	Zwróć uwagę	Obróć	Przerzuć
Waarschuwing	Correct	Draaien	Verkeerd	Vitzicht	Grootte	Opmerken	Draaien	Omdraaien

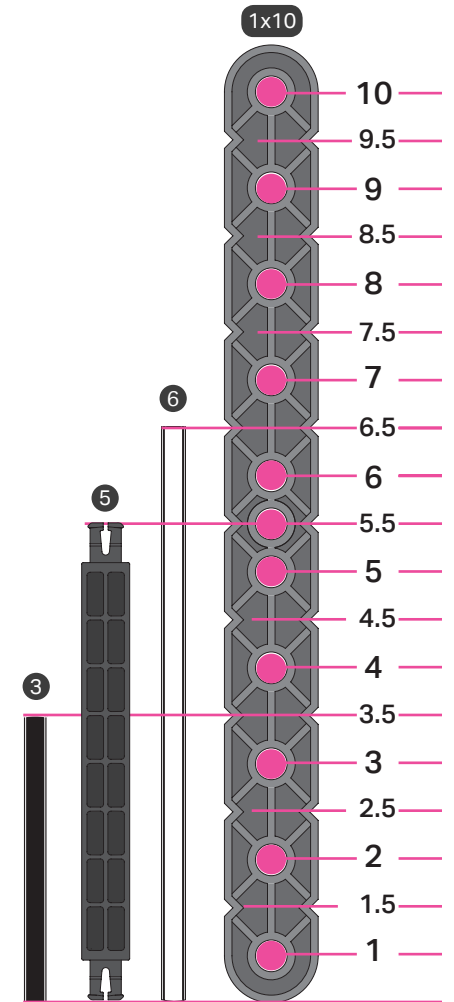
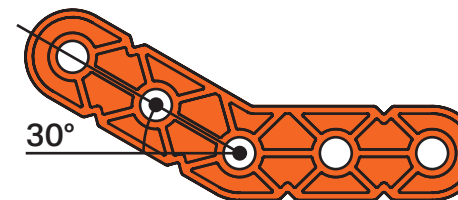
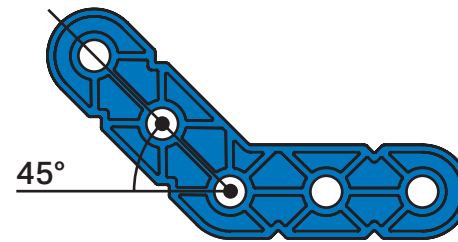
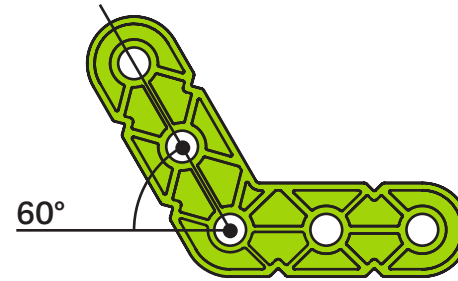
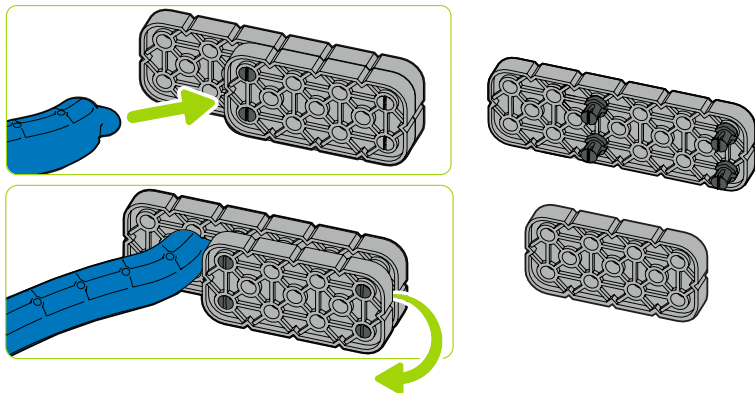
Puller



Pusher

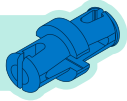


Lever

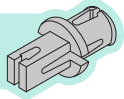




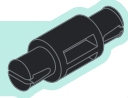
14x **1x1**
Connector Pin



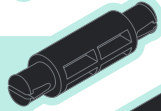
2x **1x1**
Idler Pin



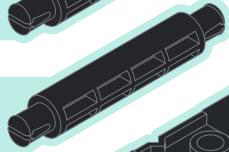
2x **0.5x**
Pitch Standoff



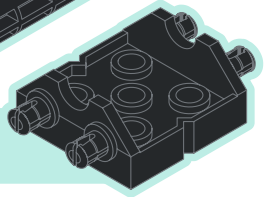
2x **1x**
Pitch Standoff



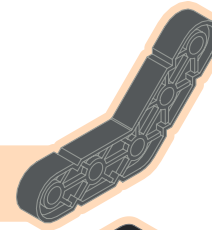
3x **2x**
Pitch Standoff



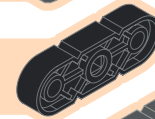
2x Double 2x Wide,
2x2 Corner Connector



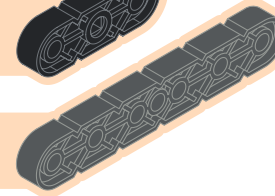
2x **3x3**
45° Angle Beam



2x **1x3**
Center Lock Beam



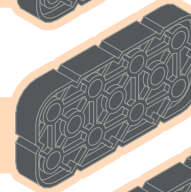
1x **1x6**
Beam



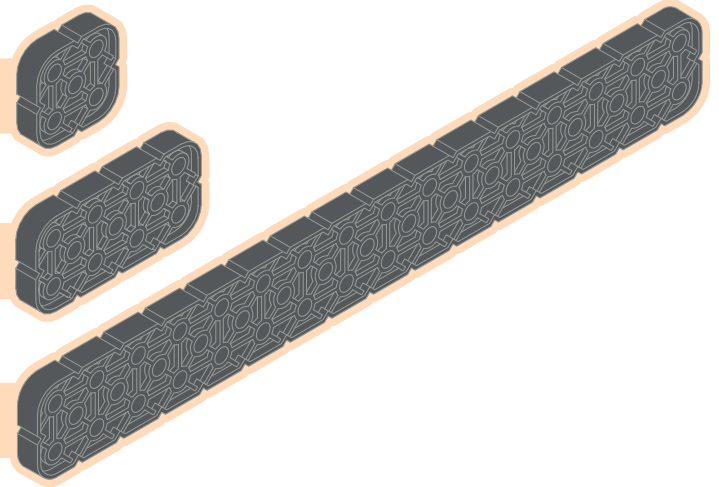
3x **2x2**
Beam



2x **2x4**
Beam



2x **2x16**
Beam





4x **0.25x**
Pitch Spacer



4x Rubber Shaft Collar



2x Washer



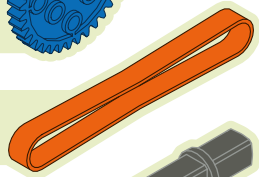
2x 12 Tooth Gear



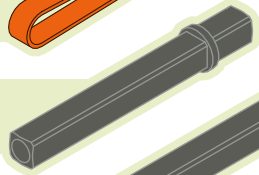
2x 36 Tooth Gear



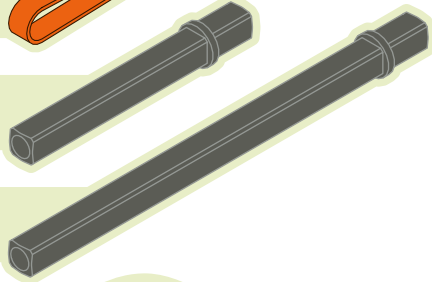
1x Silicone Rubber Band



2x **2x**
Pitch Motor Shaft

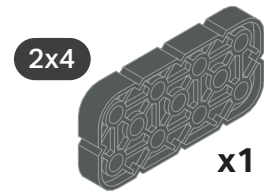
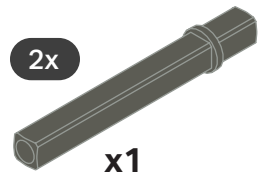
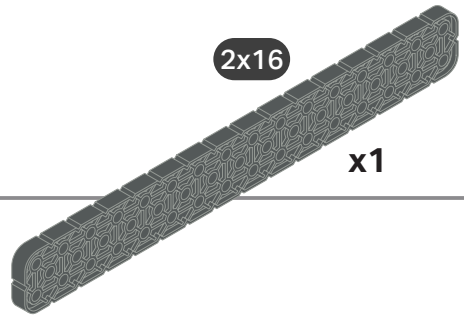
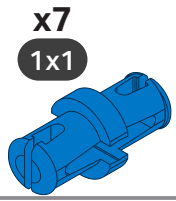


2x **4x**
Pitch Motor Shaft

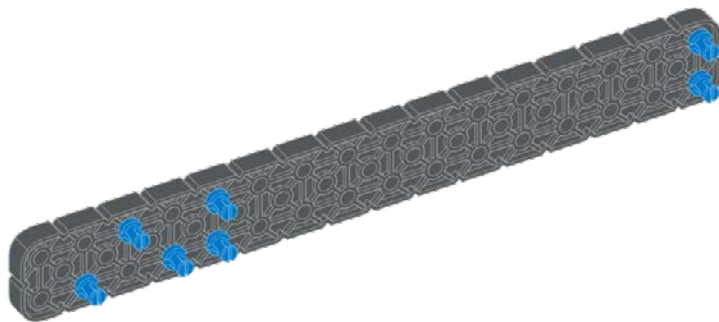
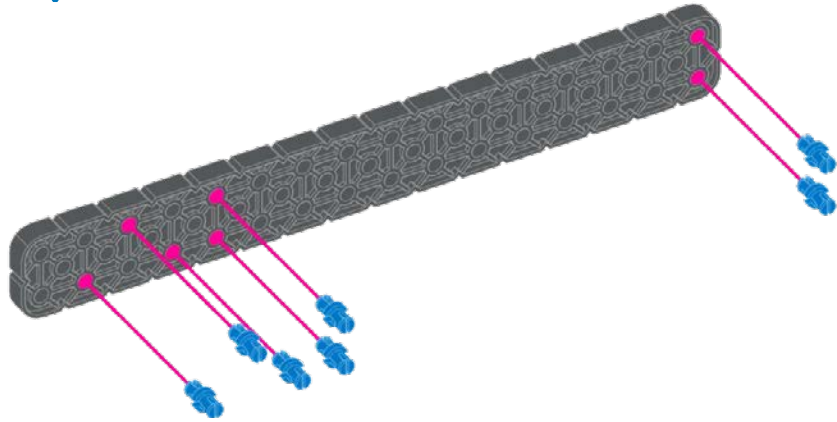


3x **200mm**
Travel Tire

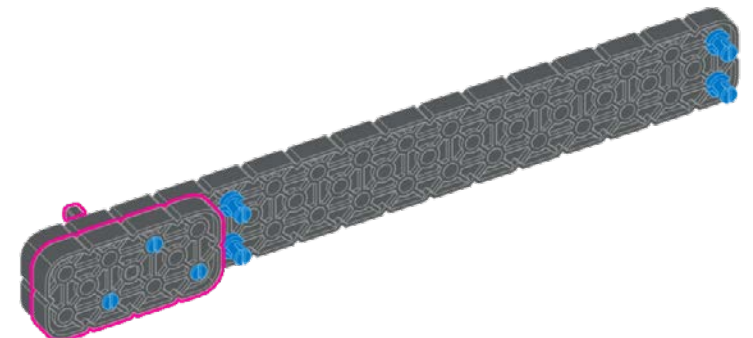
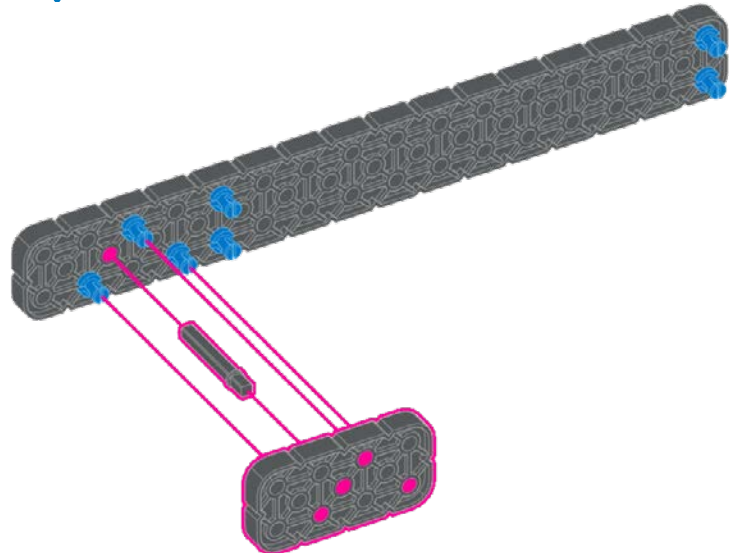




1



2

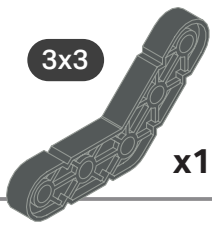


2x2



x1

3x3

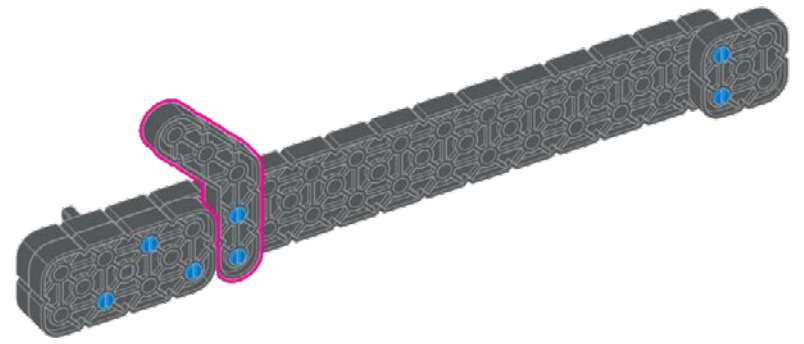
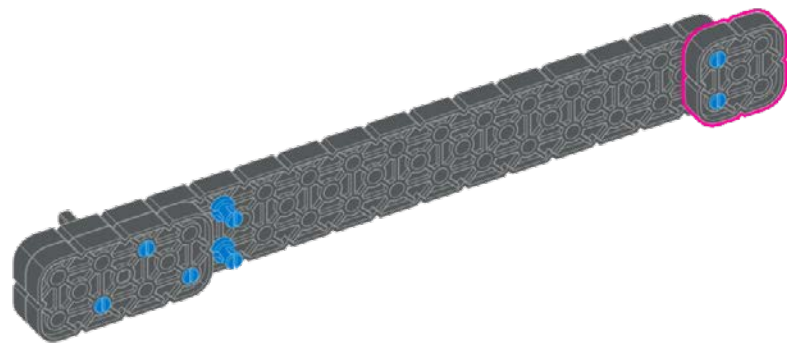
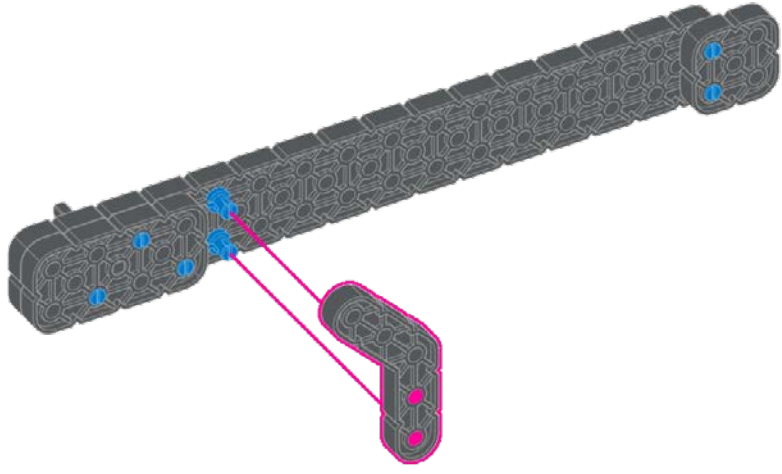


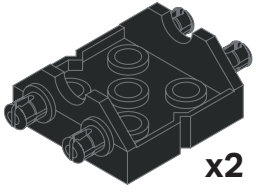
x1

3

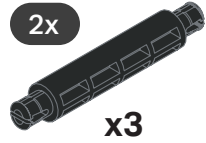


4





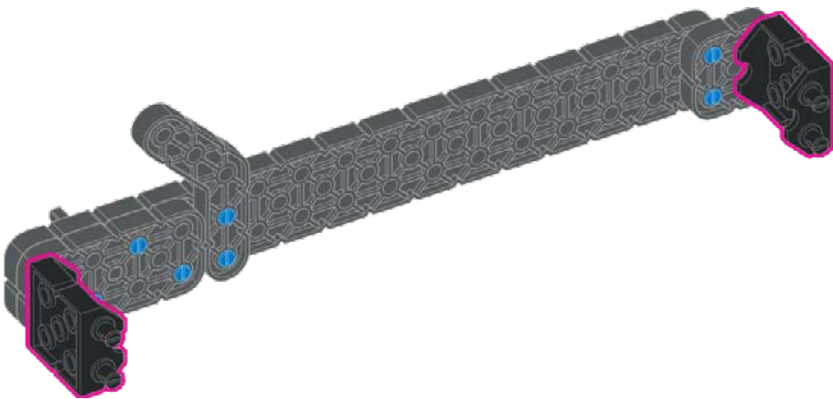
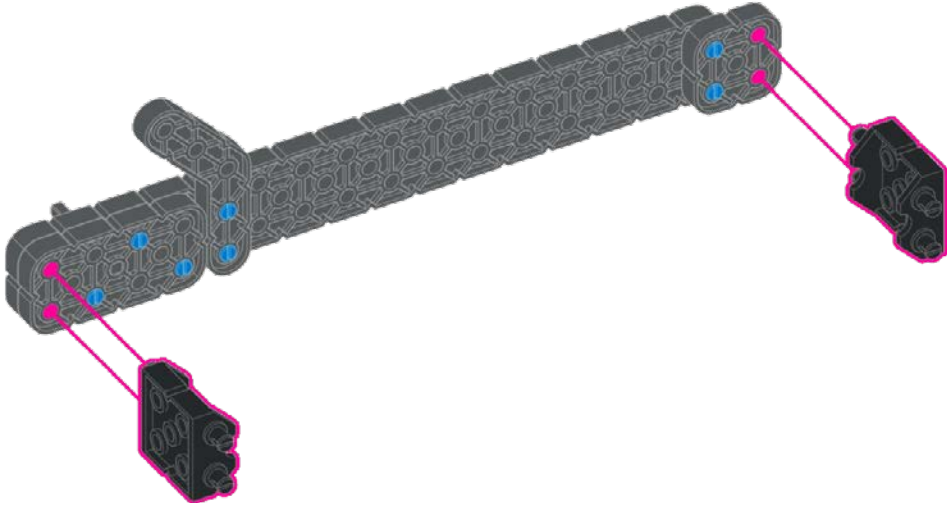
x2



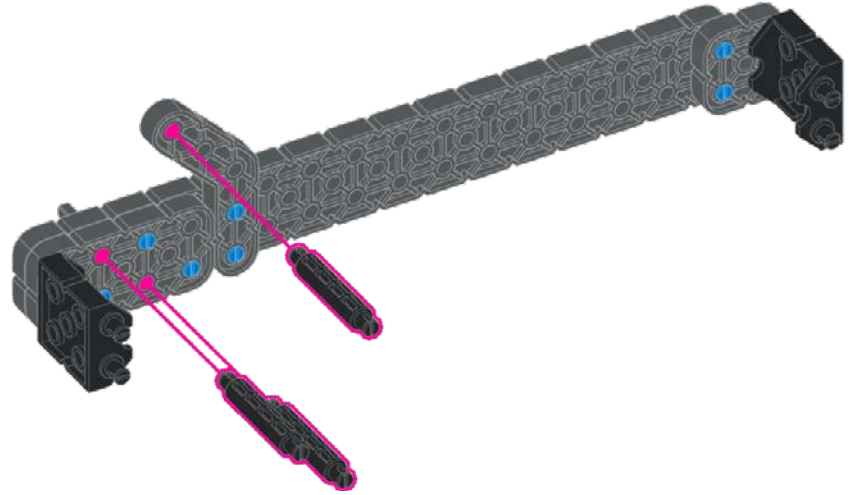
2x

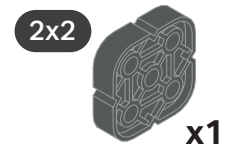
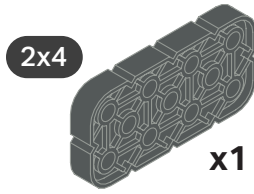
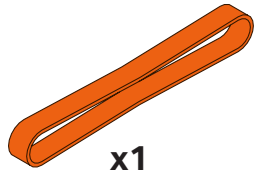
x3

5

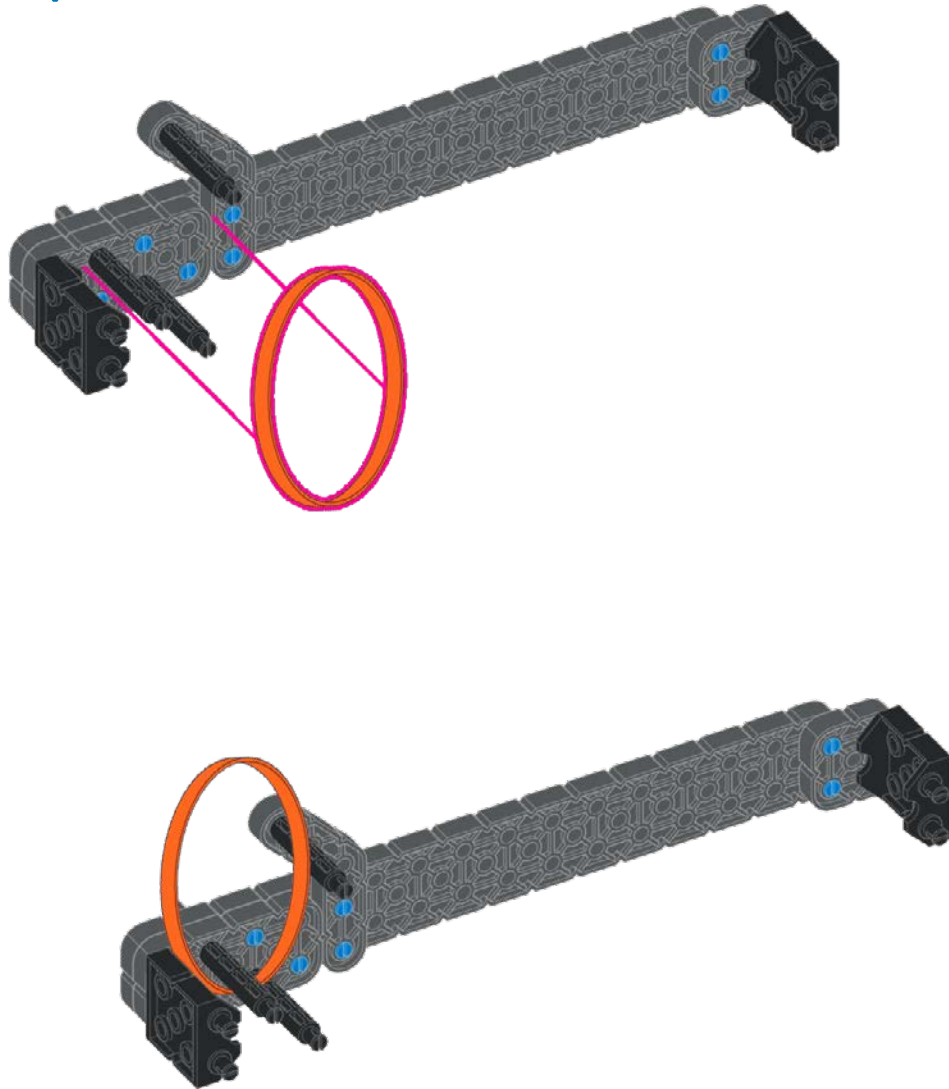


6

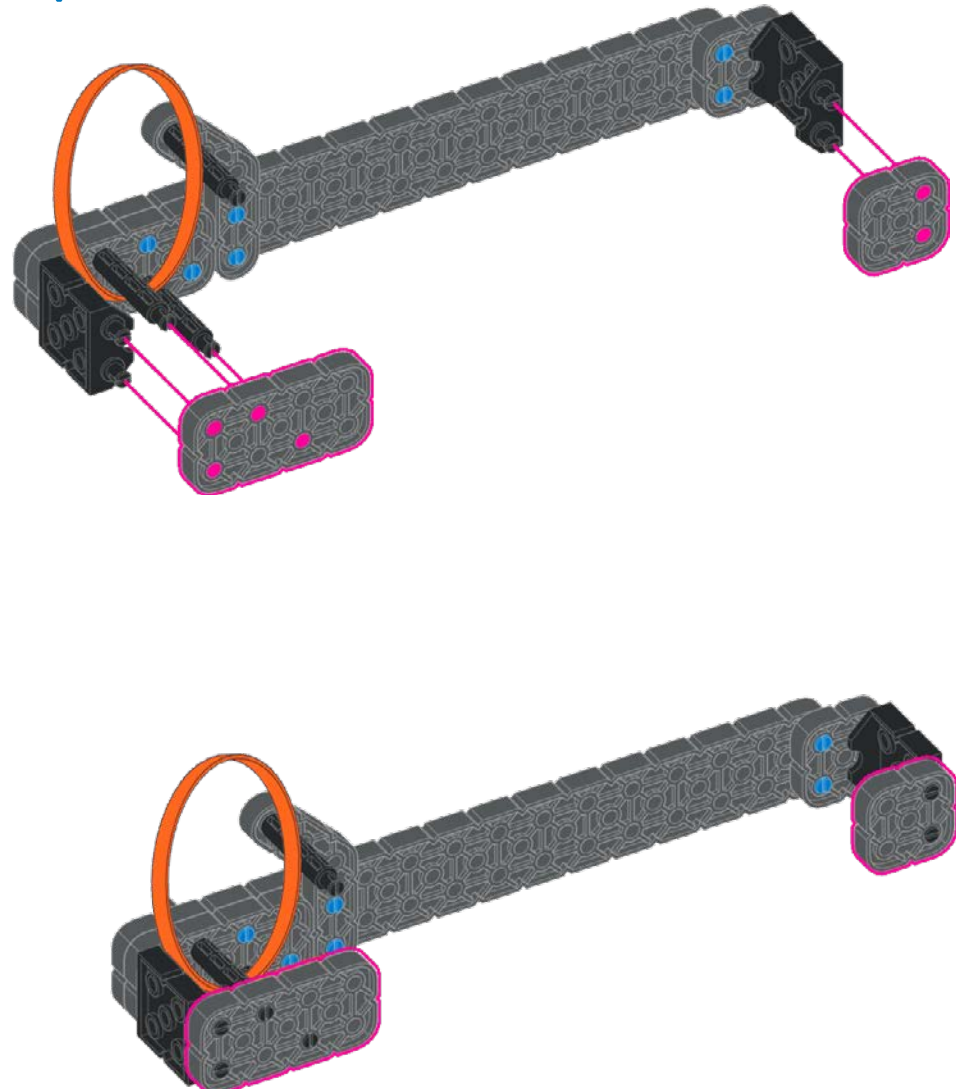


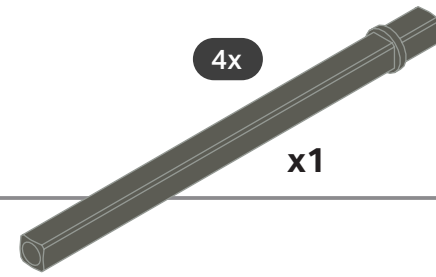
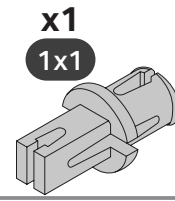
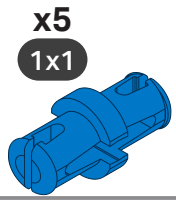


7

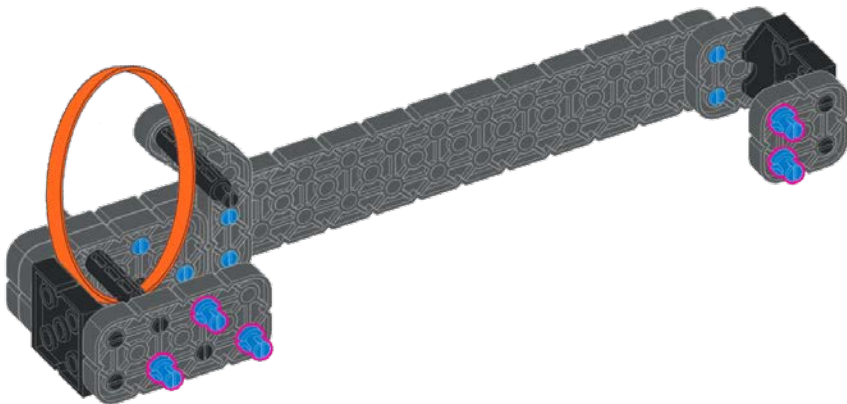
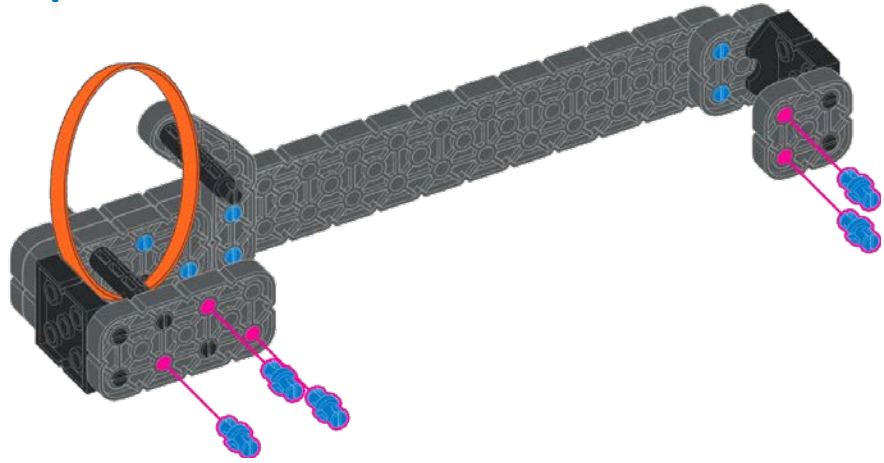


8

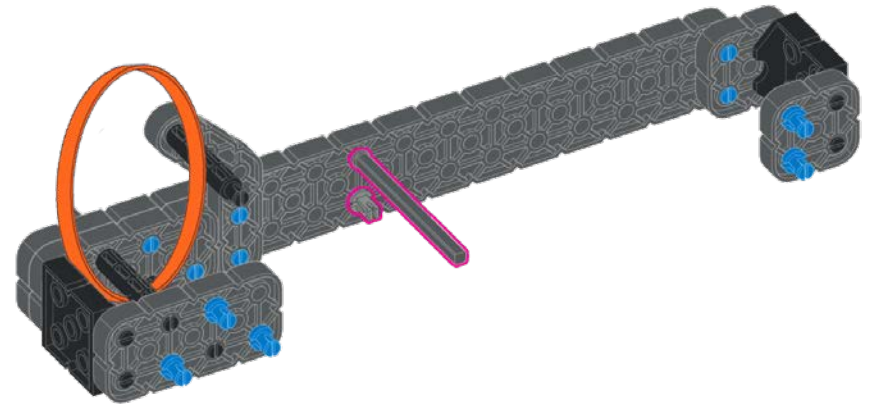
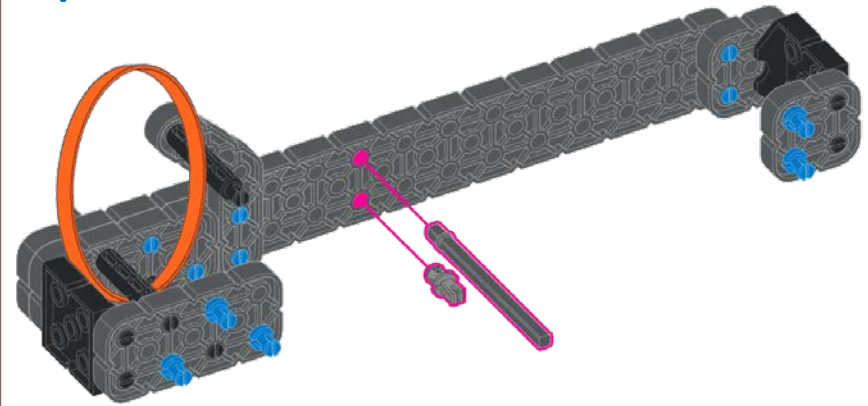


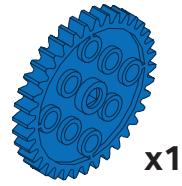
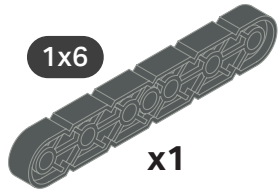


9

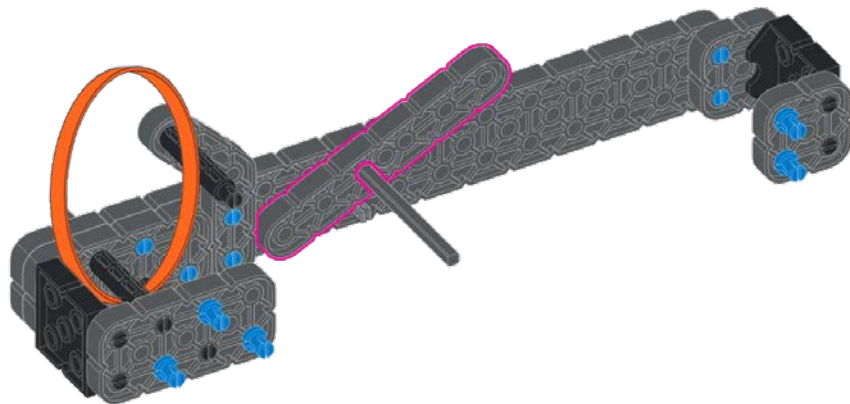
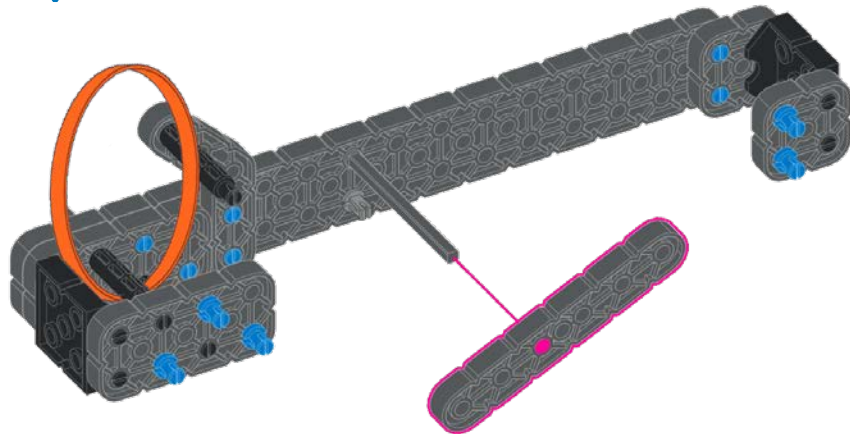


10

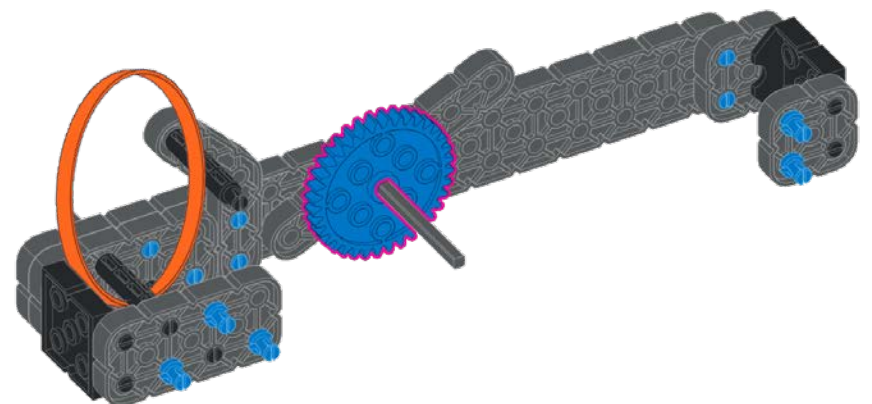
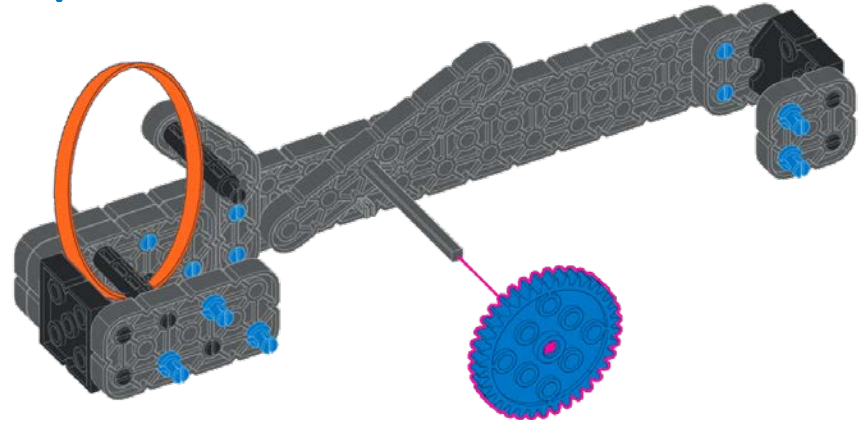


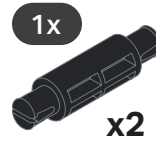
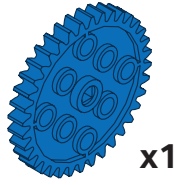
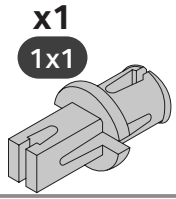


11

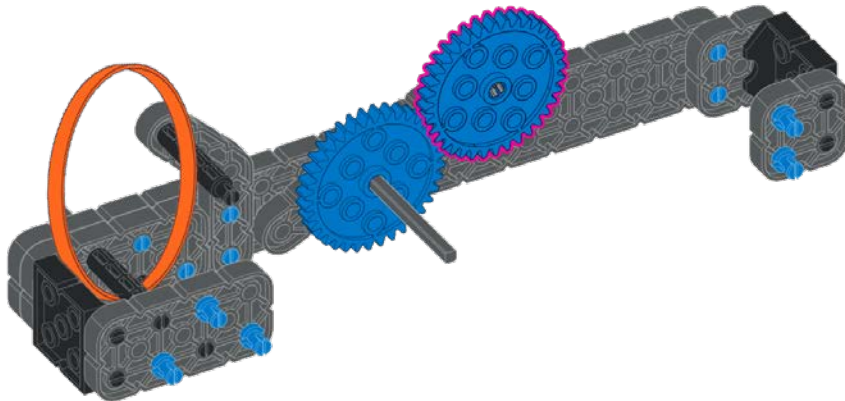
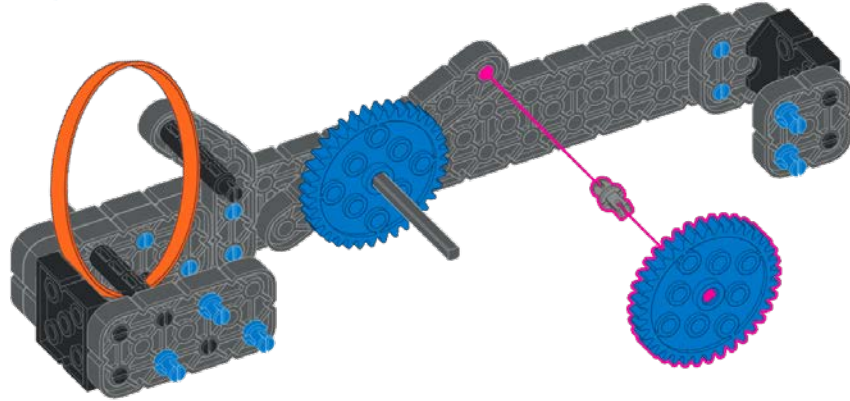


12

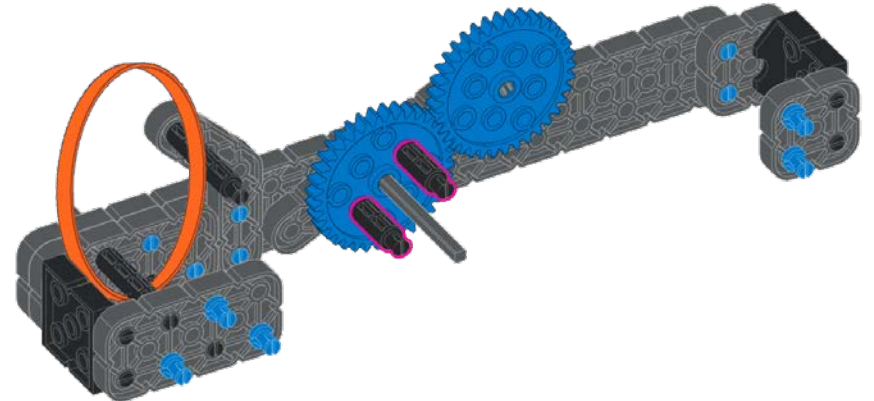
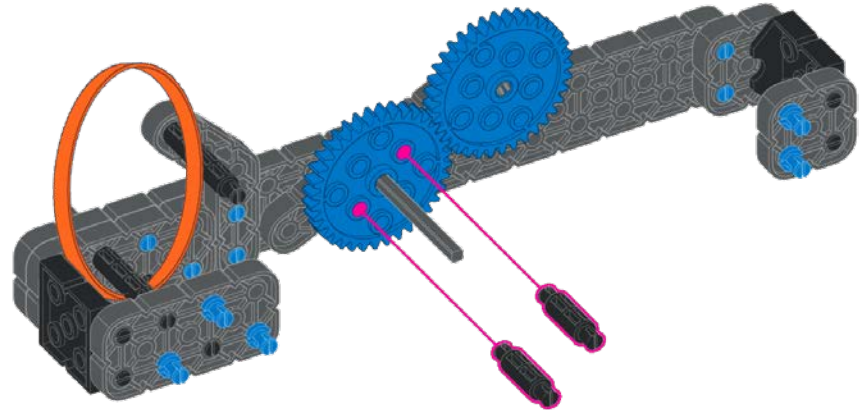




13



14



2x2

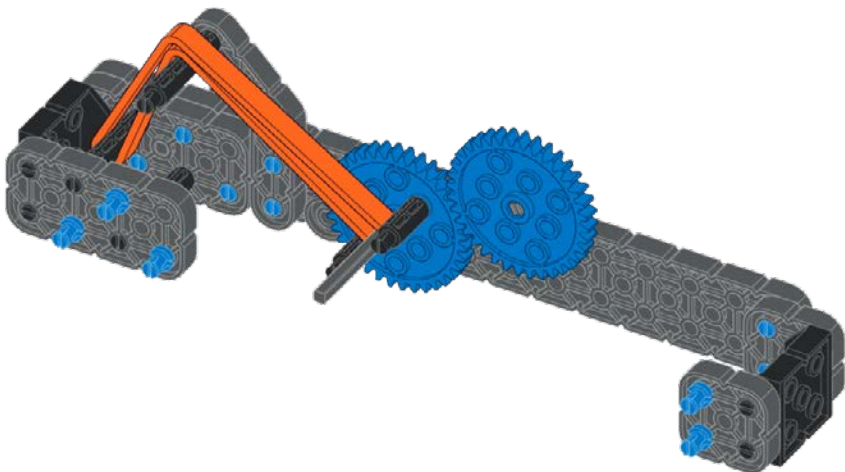
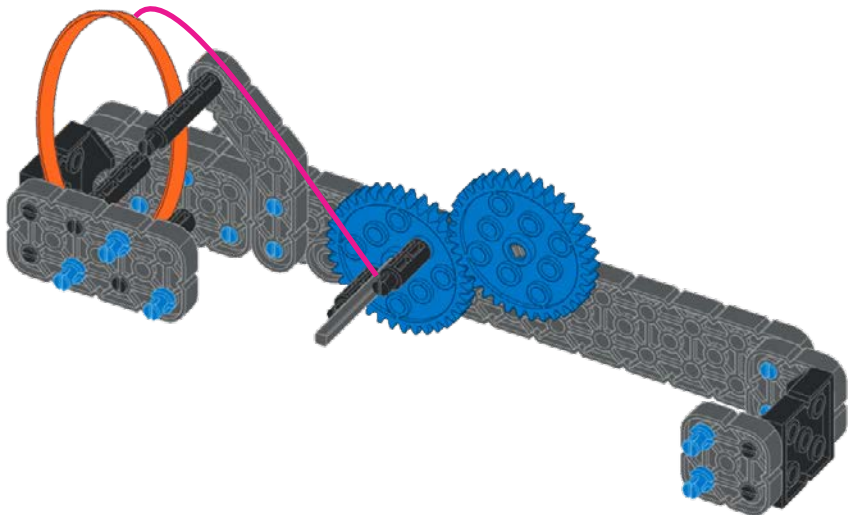


x1

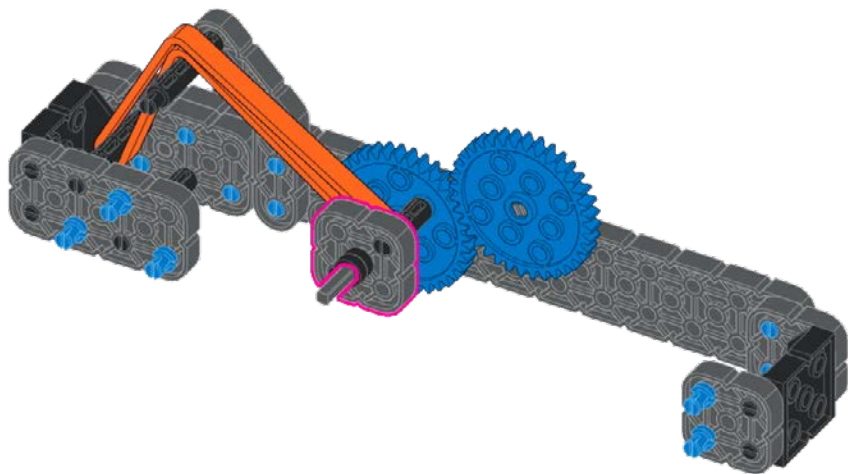
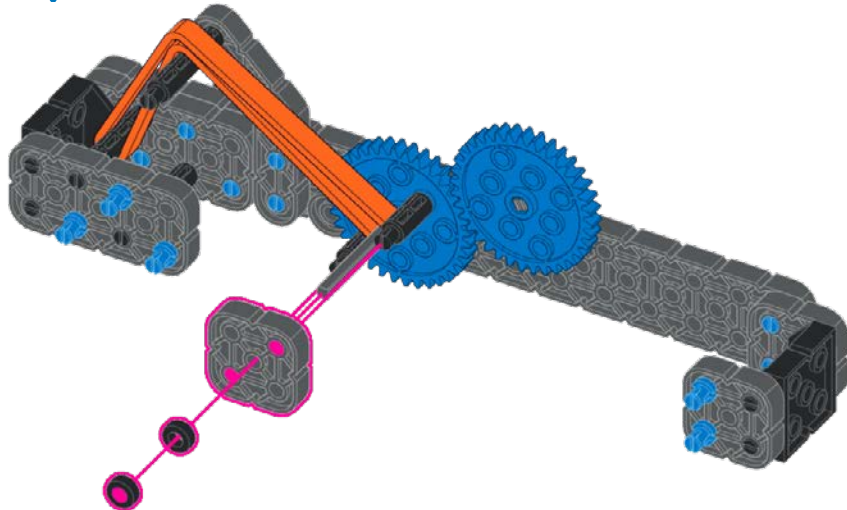


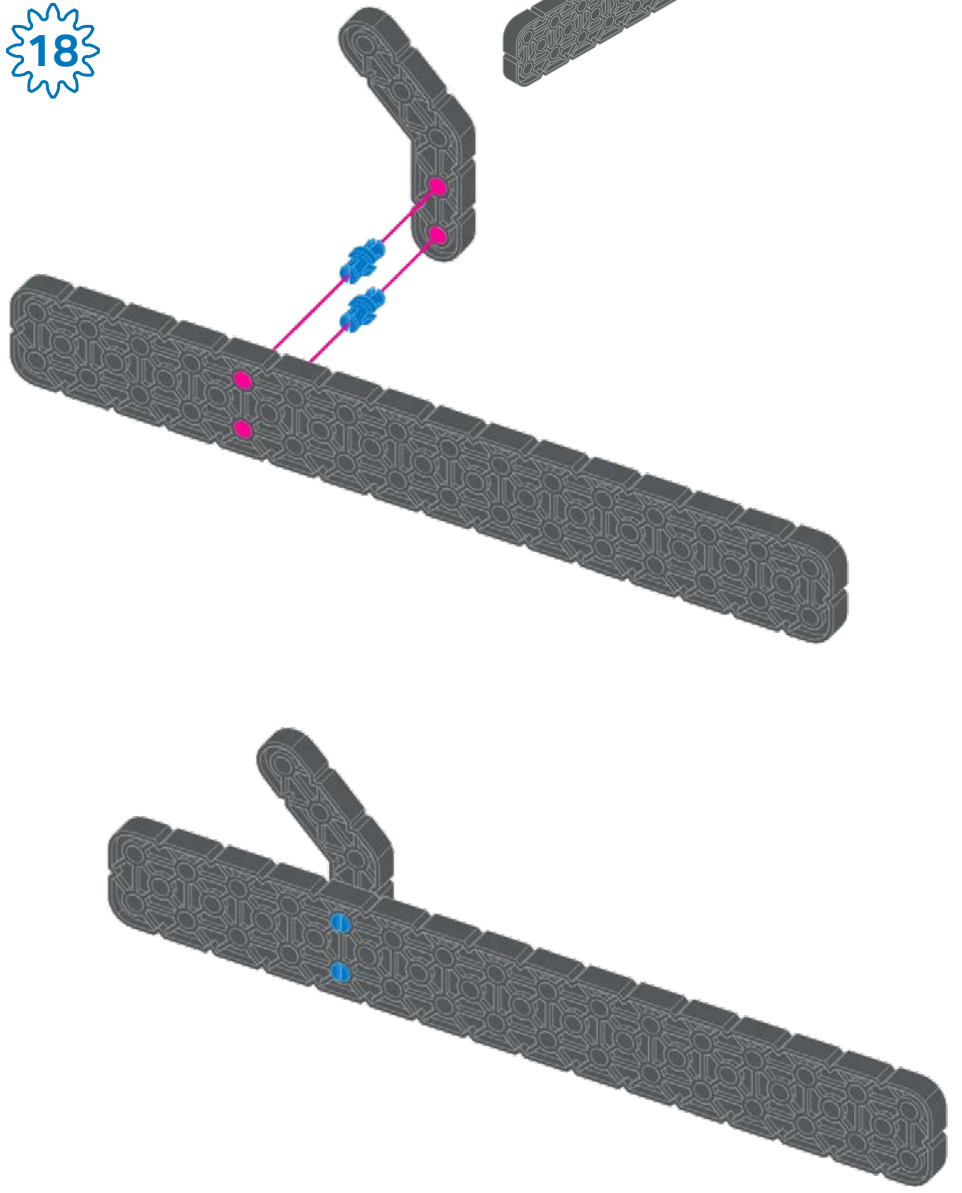
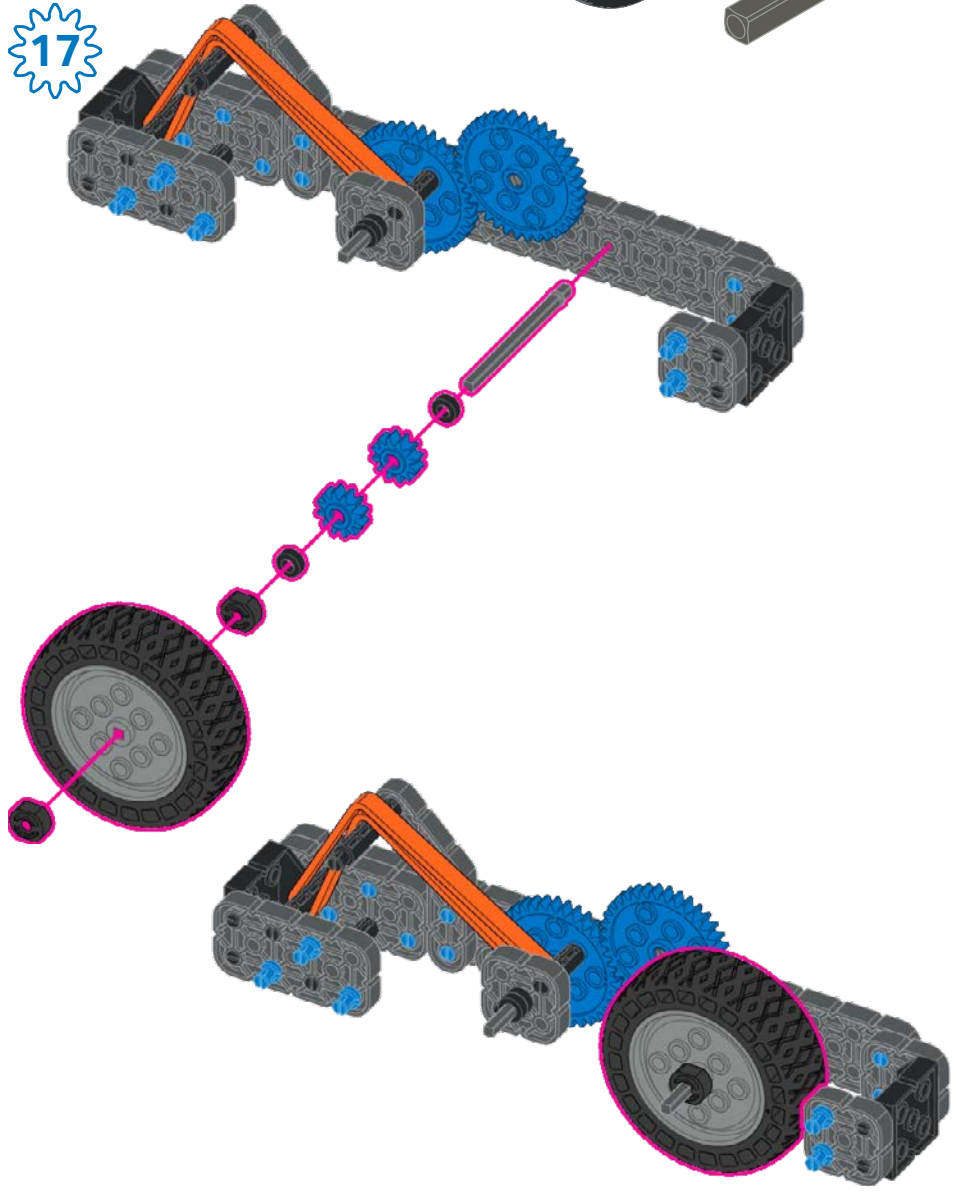
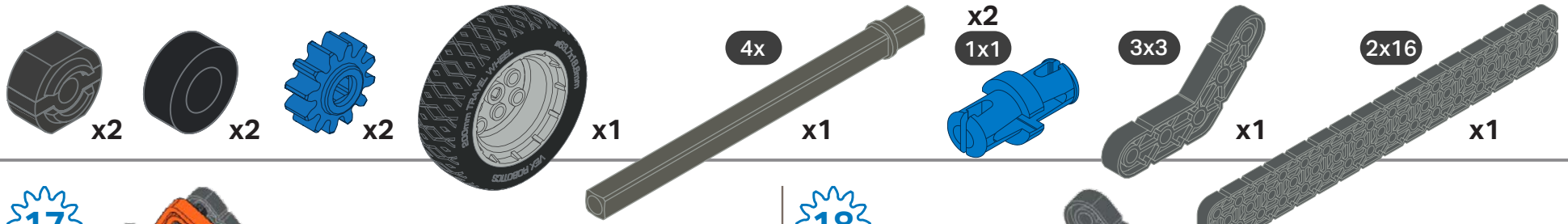
x2

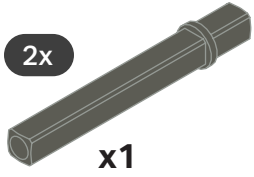
15



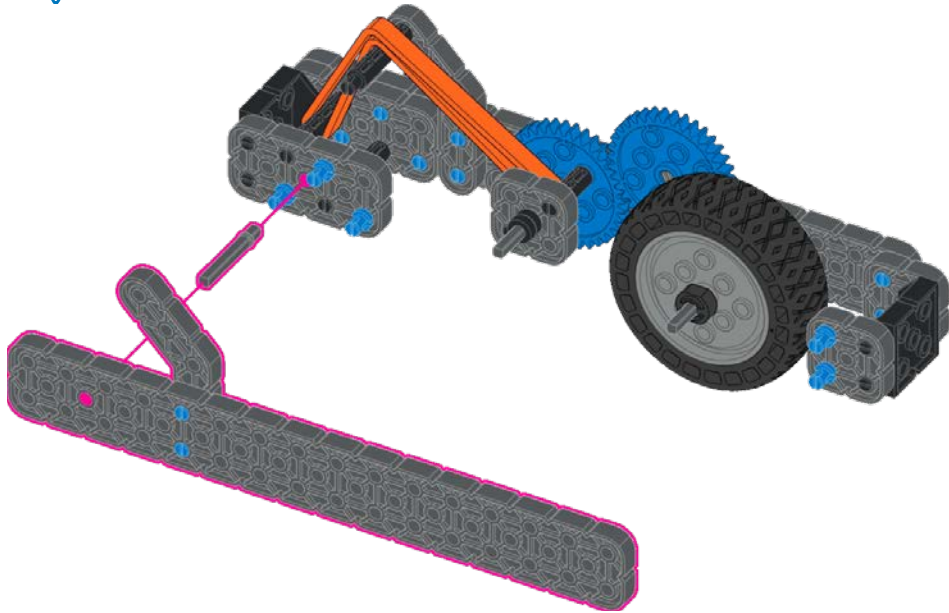
16



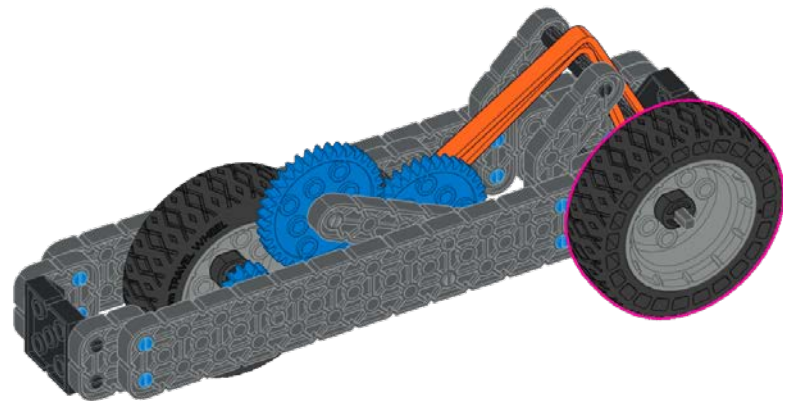


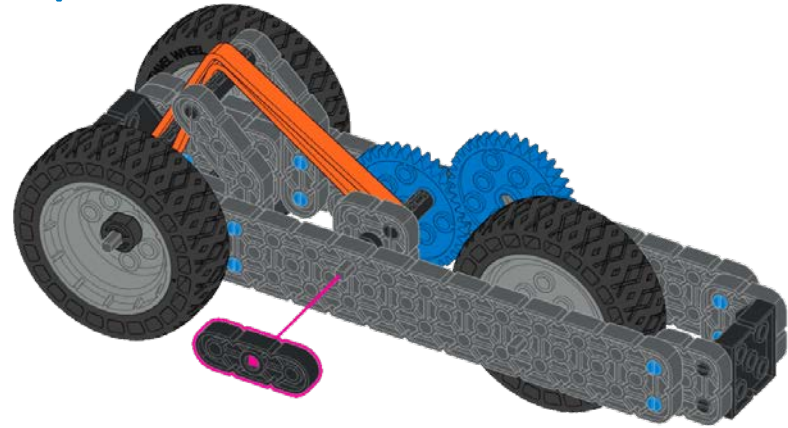
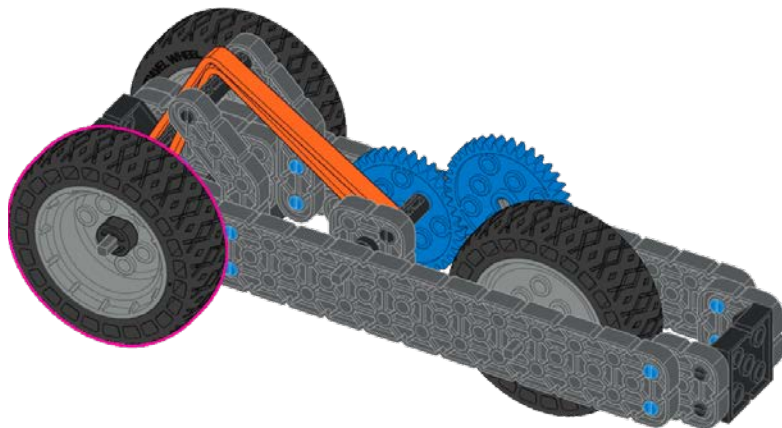
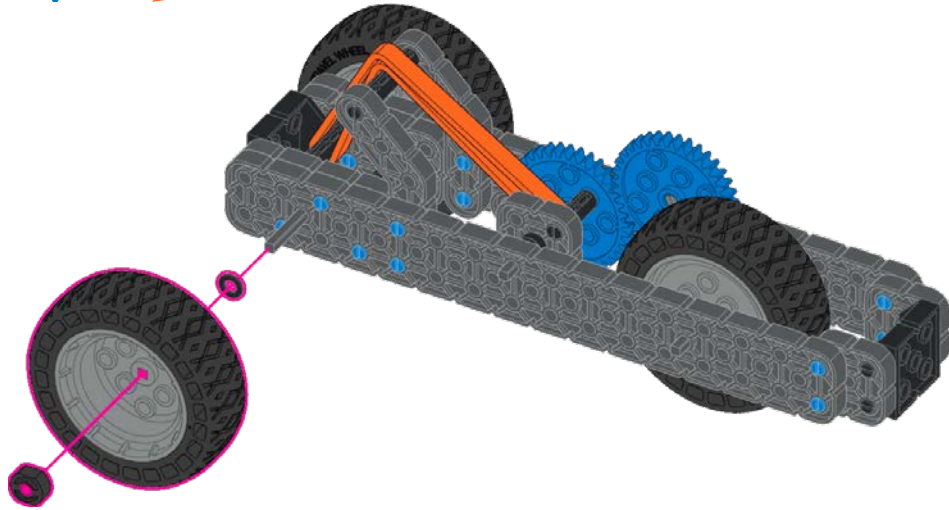
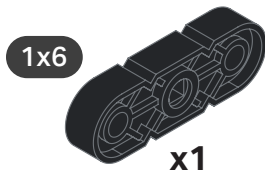


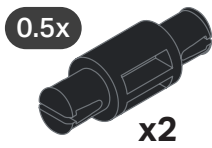
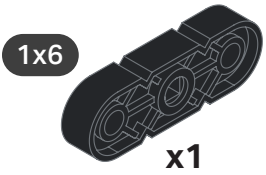
19



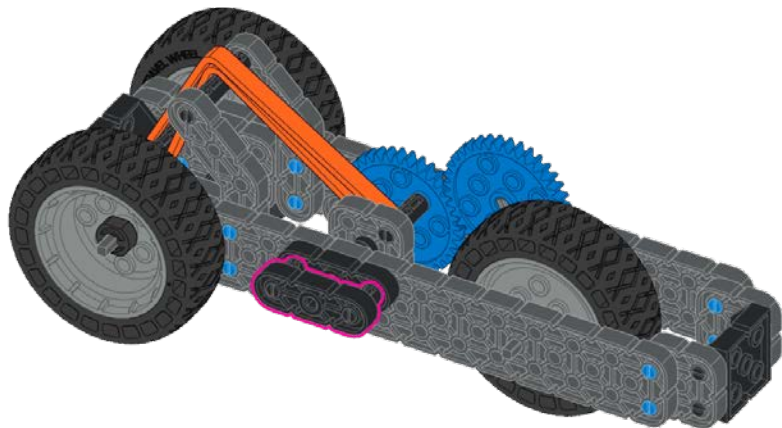
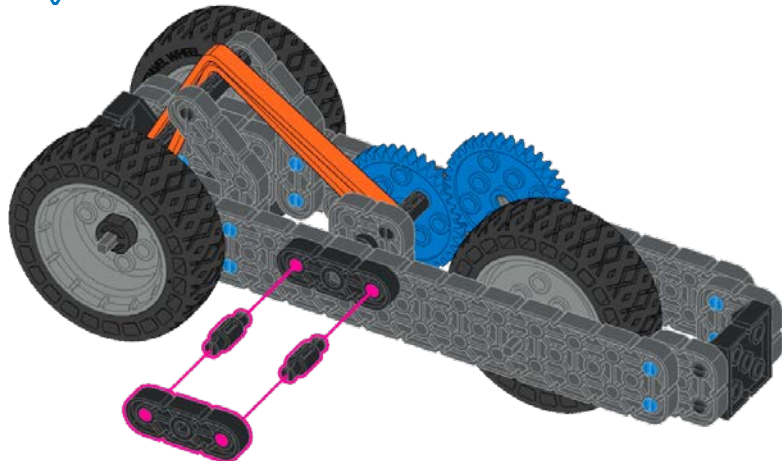
20







23



PLTW Powered Super Car

228-3304-752 Rev 1



PLTW

Distributed in the U.S.A. by VEX Robotics, Inc., 6725 W. FM 1570, Greenville, TX 75402, U.S.A. ©2022 VEX Robotics, Inc. All rights reserved. Tous droits réservés. PLTW Powered Super Car was created in collaboration with VEX Robotics, Inc., for Project Lead The Way, Inc., (PLTW), as part of curricular materials.